

The Saloon40 electronics and technology

Besides the normal command and safety features, the new Saloon40 electronics have many special features, that provide total control of the operator and unmatched optimisation of service.

Motor with Encoder for easier handling of the slow-down and obstacle-detection phases.

Function programming and viewing display.

Electronic board and power supply device are built-into the operator.

Activating movement, via transponder reader, magnetic card, buttons or photocells and radar.

Memory Roll to save configuration parameters and user details.

Aluminium structure with satin stainless steel-like finish.

Electronically simplified leaf speed adjusting.

Easy to install modular side-barriers, with either plastic or stainless steel couplers.

A GREEN LIGHT FOR FREQUENT PASSAGES.

Engineered for intensive duty, especially for access points that see quick and frequent passages, Saloon40 is fitted with a 24V DC motor.

If the power goes out, the turnstile unlocks so it can be opened manually.

AUTHENTIC ITALIAN QUALITY.

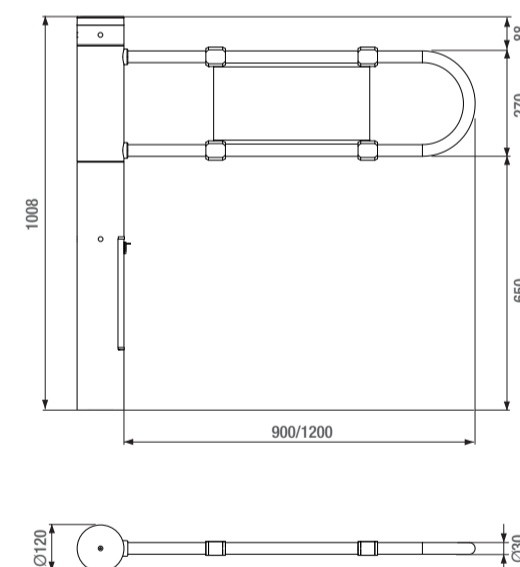
The 100% original Made in Italy marking is testimony that Saloon40 stems from a quality manufacturing process, that is engineered to yield technologically reliable and efficient products. Saloon40 undergoes 10 to 15 year's worth of high-intensity duty testing, and is specifically tested to operate in electromagnetic interference conditions. It means prestige and confidence for those installing it, and safety and peace-of-mind to those using it.



The Saloon40 range

Motorised swing turnstile	
001PSSLN40	Single aluminium swing-leaf 24 V DC motor-powered turnstile fitted with electronic board.
Accessories	
001PSSL90	Aluminium leaf length 900 mm.
001PSSL120	Aluminium leaf length 1200 mm.
001PSSLC	Custom leaf (length min.600 mm, max.1200 mm)
001PSSA01	Activator radar to fit atop the operator.
001PSSA03	Kit of two chromed plastic sleeve couplers for fastening the side-barriers.
001PSSA04	Kit of AISI 304 stainless steel sleeve couplers for fastening the side-barriers.

Dimensions (mm)



Operational limits

MODEL	PSSLN40
Max gate-leaf length (m)	1.2
Max gate-leaf weight (Kg)	2
Max gate-leaf opening arc (°)	90

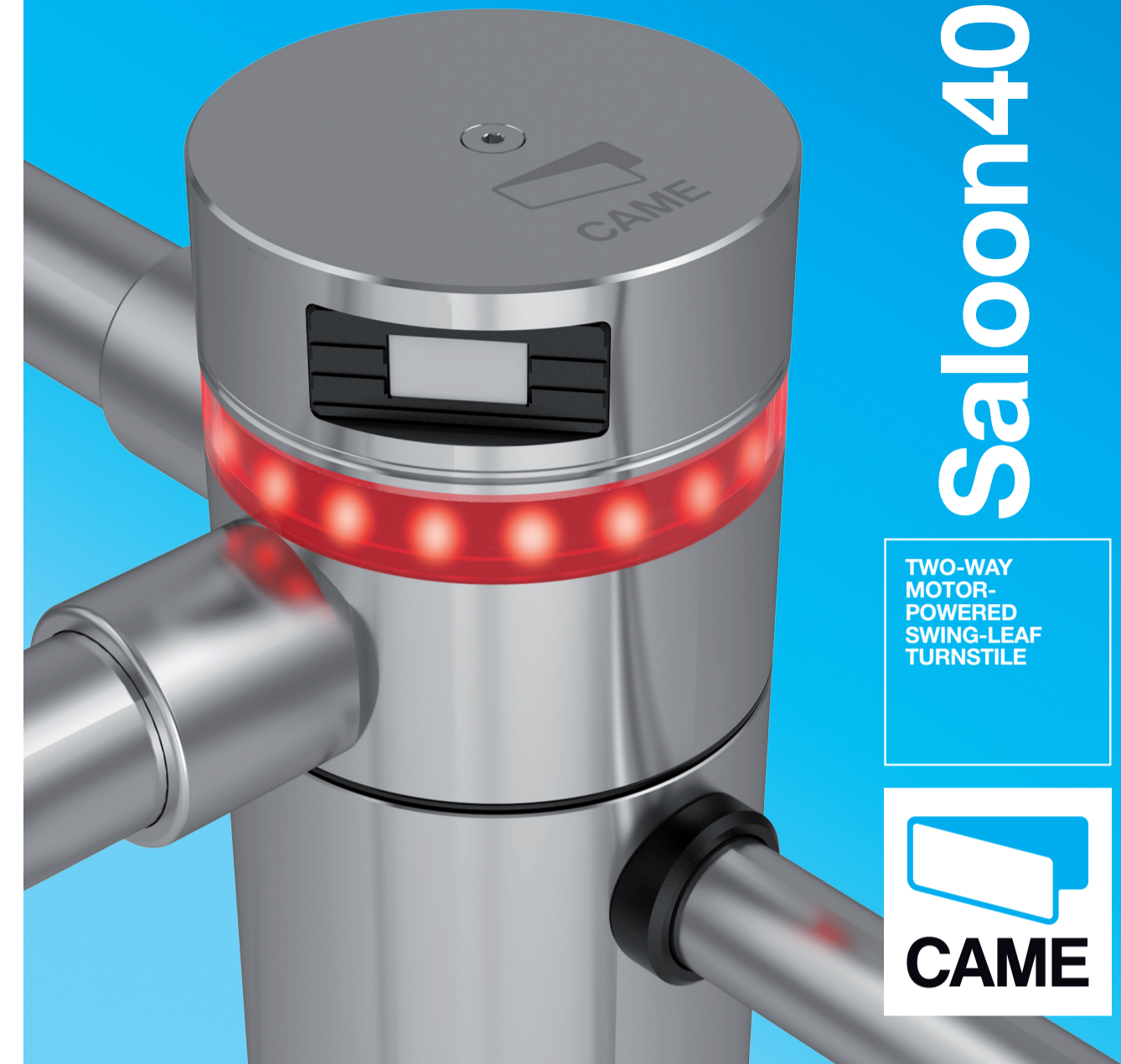
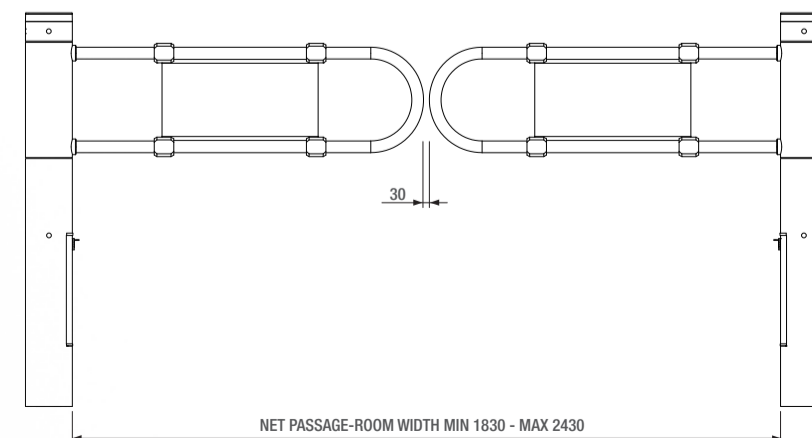
● 24 V DC

Technical specifications

Type	PSSLN40
IP protection rating	40
Power supply (V)	230 AC - 50/60 Hz
Motor power supply (V)	24 DC
Opening speed at 90° (s)	1
Power rating (W)	120
Working time (°C)	-20 ÷ +55

● 24 V DC

Applications (mm)



Saloon40

TWO-WAY MOTOR-POWERED SWING-LEAF TURNSTILE



SEE CAME'S LATEST from your licensed dealer or on came.com

PRODUCTS



Came Cancelli Automatici S.p.A.

via Martiri della Libertà, 15
31030 Dosson di Casier
Treviso - Italy
Tel. (+39) 0422 4940
Fax (+39) 0422 4941
info@came.it
www.came.com



Saloon40

Technology and speed, move hand in hand.

Saloon40 is Came's very latest motor-powered swing-leaf turnstile; extremely compact, innovative and user-friendly design!
Engineered for even quicker and easier installation!

Reasons to choose Saloon40

SPEED OF MOVEMENT, RAPID INSTALLATION.

Saloon40 is made for controlling access points to very large hall-type rooms that see sustained flow-rates, such as in shopping malls, hospitals and other large service facilities. Quick and easy to install, Saloon40 is all about cutting-edge technology features and performance; opening in just 1 second.

BENEFITS:

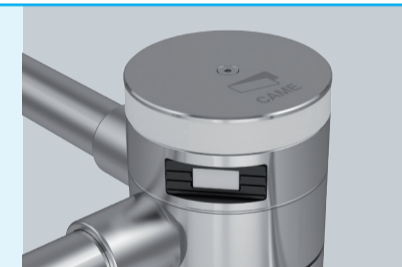
AESTHETICALLY EVOLVED, with its completely overhauled design it packs a concentration of aesthetic and technological solutions for enhanced installation and operation.

LUMINOUS WARNING CROWN, built-into turnstile, to warn when the leaf is moving and signal the status of operation.

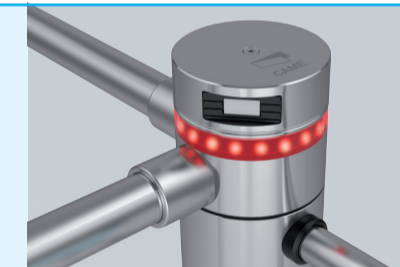
THE ACTIVATION RADAR fits perfectly, to allow leaf openings to be remotely-activated.

THE MODULAR radar and luminous crown means the two can be interchanged according to need.

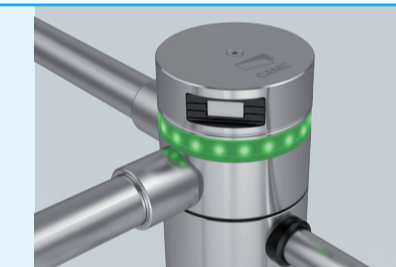
TAKES UP LITTLE SPACE, both the electronic board and power-supply unit are fitted in the turnstile which is only 120 mm in diameter.



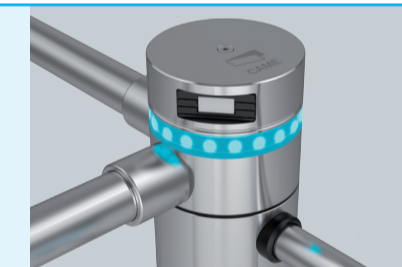
The built-in ACTIVATOR RADAR opens the leaves remotely.



RED LUMINOUS WARNING CROWN signals the leaf's closing movement.



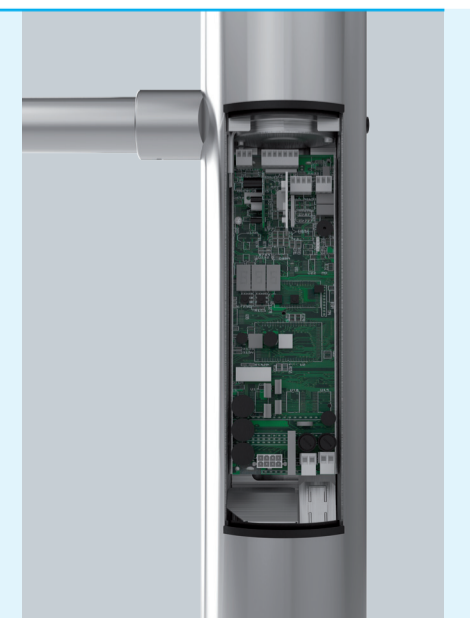
THE GREEN LUMINOUS WARNING CROWN signals the leaf's opening movement.



A BLUE LUMINOUS WARNING CROWN warns that leaf is about to close. (the pre-flashing time can be electronically adjusted)

FULLY INTEGRATED TECHNOLOGY!

THE ELECTRONIC BOARD FITTED IN THE OPERATOR, MAKES FOR QUICK AND EASY INSTALLING.



PASSAGE IS ALWAYS UNDER CONTROL, as it is fitted with a sound alarm that is triggered by any attempts at forced entry.

IT'S SAFE BECAUSE IT UNLOCKS, so if the power goes out, it can be opened manually for both entry and exit.

A SINGLE PRODUCT FOR DOUBLE PASSAGE!

Saloon40 is also made in the two swing-leaf version. Two types of leaf, the 900 or 1200 mm long, leaves are available, to manage even those extra-wide and roomy passage points! (Up to 2400 mm of passage width)